

Baths and showers

Showering and bathing accounts for around 20% of the water we use.



The Alto water saving bath has a reduced capacity of 149 litres.

Low capacity baths

Baths come in many shapes and sizes. Typically an average Ideal Standard 1700 x 700mm bath will hold between 175 and 210 litres of water to the overflow. The Alto water saving bath only needs 149 litres of water to the overflow. That saves 15-28% of water.

Of course to have a luxurious bath you only need to fill the bath approximately 2 thirds below the overflow, allowing for average adult displacement of water.

Shower baths

Where space is limited, shower baths are designed to allow you to have a

shower and a bath in the same area. These have a dual water saving advantage. The opportunity to have a water saving shower combined with a low capacity bath.

Showering

Taking a shower often saves water compared to having a bath. Water usage is dependent on the type of shower (e.g. conventional vs power), water pressure, size of valve and the length of time in the shower. Some showers use a high volume of water - anything from 10 to more than 30 litres of water per minute.

One way to save water whilst keeping the benefits of a good shower is to fit a shower restrictor. Our restrictor is designed to give you a maximum of 9 litres of water per minute up to a pressure of 3 bar (Note you need a minimum pressure of 0.3 bar to achieve 9 litres per minute). The restrictor is fitted between the shower valve and the shower hose set. We only recommend using this restrictor with Trevi or Ideal Standard Showers and they are not suitable for use with Trevi Boost.



The Space shower bath allows you to have a shower or bath in the same area.



A typical 7 minute shower with water restrictor can save between 40 and 80 litres of water compared to having a bath.






Flow restrictors can be fitted to showers reducing the volume of water used.

Domestic water saving

Area	Product	Description	Water saving benefit
WCs 	Dual flush WCs	<p>All Ideal Standard and Armitage Shanks Contemporary WCs have dual flush cisterns. Full flush = 6 litres Small flush = 4 litres</p> <p>Close coupled dual flush. Back to wall with Conceala cistern dual flush. Wall hung with Conceala cistern dual flush.</p>	<p>Saves 33% of water when you use the small flush button.</p> <p>A typical WC is flushed 5 times a day with 4 small flushes and 1 full flush: 4 x 4litre small flush, 1 x 6 litre full flush = 22 litres of water a day with an average flush of 4.4 litres.</p>
Bathing 	Alto water saving bath 1700 x 700mm E769001	Bath with reduced capacity of 149 litres. (Normal Alto 1700 x 700mm – 175 litres).	Saves approximately 15% of water vs a conventional Alto bath.
	Shower baths	Bath designed with a larger area at the base to give space for an overhead shower. Ideal Standard Space, Alto and Create shower baths Armitage Shanks Accolade shower bath	Showering is an effective way of saving water. A shower bath gives you a choice of showering or bathing where space is limited.
Showering 	Shower restrictor L6749AA	A restrictor reduces the amount of water used. The restrictor is inserted between the valve and shower kit.	<p>Showers can use anything from 10 to over 30 litres of water per minute depending on the water pressure.</p> <p>Shower restrictor limits the water flow to 9 litres per minute at 3 bar.</p> <p>A typical 7 minute shower with water restrictor can save between 40 and 80 litres of water compared to having a bath.</p>
Taps & mixers 	Ceramic disc taps	Ceramic disc taps use a very hard ceramic material in the valve. This gives precise control and reduces the chance of having a dripping tap. Ranges with ceramic disc technology include: Ideal Standard Class Tratto Silver Ceramix Alto Domi Cone Idyll Waterways CD Academy Moments Ceraplan Armitage Shanks Accolade CD Sandringham SL Halo	<p>Over time a dripping tap can waste many litres of water.</p> <p>A dripping tap wastes up to 4 litres of water per day.</p>
	Click technology taps	Resistance is felt in lever when the tap is delivering half the potential water flow. When lever 'clicks' tap delivers 100% flow. Incorporated in: Ideal Standard Idyll Two Ceramix Alto Ceraplan Armitage Shanks Sandringham SL	Cuts water usage by 50% if lever is stopped before click.
	Airated flow restrictor	Taps can use as much as 8 to 9 litres of water per minute depending on water pressure. Restrictor is screwed into the mixer spout to reduce the amount of water used.	Controls water to 6 litres per minute at 3 bar. Airated nozzle gives softer water feel, ideal for hand washing.

Commercial water saving

Area	Product	Description	Water saving potential
WCs 	Dual flush WCs	<p>All Ideal Standard and Armitage Shanks Contemporary WCs have dual flush cisterns. Full flush = 6 litres Small flush = 4 litres</p> <p>Close coupled dual flush. Back to wall with Conceala cistern dual flush. Wall hung with Conceala cistern dual flush.</p>	Saves 33% of water vs 6 litre cistern when small flush is used. Good for repeat user environments such as offices.
	4.5 litre flush	Special single flush WC and cistern combination that only needs 4.5 litres of water to flush.	Saves 25% of water vs 6 litre only flush. Good for areas of high usage with different users such as airports etc.
	New delayed fill flush	Cistern only begins to fill with water once the flush is complete.	The ultimate water saving device. Guarantees maximum water saving even in high pressure situations.
Taps & mixers 	Self closing taps Avon pillar taps S7239AA Avon mixer taps S7316AA	Lever is pushed down to activate tap. Water flow automatically stops after a period of time. Run time is manually adjusted on installation – typically 10 to 15 seconds.	Controlled water delivery. No risk of tap being left on resulting in flooded washroom.
	Sensorflow taps	Infrared sensor detects user and operates fittings. Fittings can be stand alone or be part of an integrated washroom system controlled by one unit. Options: Integral sensor in surface or wall mounted spout. Spout with separate sensor. Touch control wall mounted tap. For full range of options and control units refer to the BlueBook.	Water delivered only when it is needed.
	Airated flow restrictor	Taps can use as much as 8 to 9 litres of water per minute depending on water pressure. Restrictor is screwed into the mixer spout to reduce the amount of water used.	Reduces water to 6 litres per minute at 3 bar. Airated nozzle gives softer water feel, ideal for hand washing.
Urinals 	Waterless urinal	Aridian urinal uses a filter that breaks down uric acids and acts as a trap. The system requires no water.	Requires no water. 100% water saving.
	Sensorflow urinal	Sensorflow Urinal systems are only activated when the sensor detects use. For full range of options and control units refer to the BlueBook.	Reduces the amount of times the flush is activated and can offer huge water savings.

baths
alto 75 • 70

A contemporary and practical bath, this luxury 170cm x 70cm Idealform™ bath comes with comfortable headrest and twin handgrips.

- Domestic and hotel use
- Luxury bath
- Integral headrest
- Part of matching suite
- Available in 2 widths
- Water saving option



Weight

75cm bath 26.0kg
70cm bath 23.0kg

Colours

Available in White (01) only

Standards

Constructed to BS 4305 (EN 198)

Options

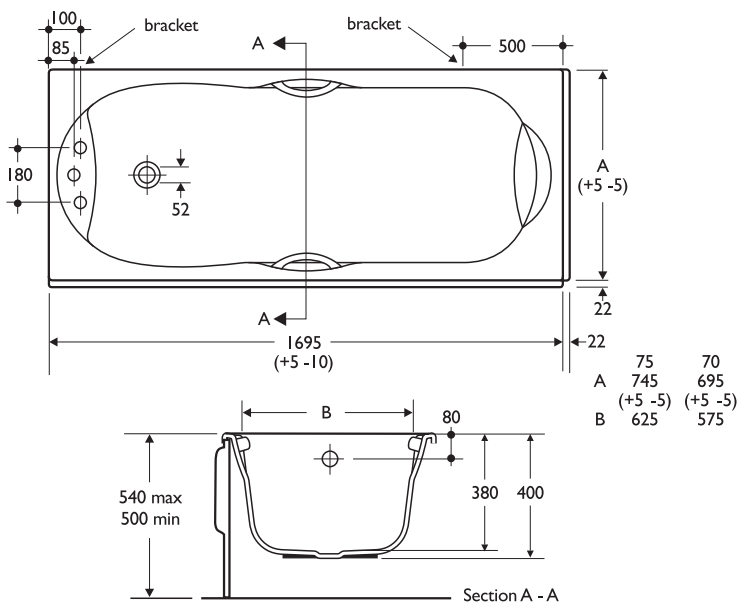
- E7684 75cm bath width 2 tapholes
- E7694 170cm x 70cm bath chromium plated handgrips 2 tapholes
- E7695 170cmx70cm bath chromium plated handgrips no tap holes
- E7690 Alto water saving bath 170cm x 70cm, 2 taphole, chromium plated handgrips

Associated products

E4140 70cm Uniline end panel

Special notes

Supported on steel cradle with adjustable feet. Brackets provided for wall support. For more details about E7690 Alto water saving bath please see page 23:1:1E



Illustrated

- E7685 Alto bath 170cm x 75cm, chromium plated handgrips, no tapholes
- E7045 Waterways dual control twin flow mono block bath filler
- E5950 Studio porcelain handles
- E579567 1 1/2in combined bath pop-up waste and overflow with E5800AA operating handle and plug cover
- E4130 Uniline 170 cm front panel
- E4190 Uniline 75 cm end panel

Material

Idealform™ cast acrylic sheet, fully reinforced

Capacity

Alto 75 43 gallons/195 litres (to overflow)
Alto 70 39 gallons/175 litres (to overflow)

baths rectangular

